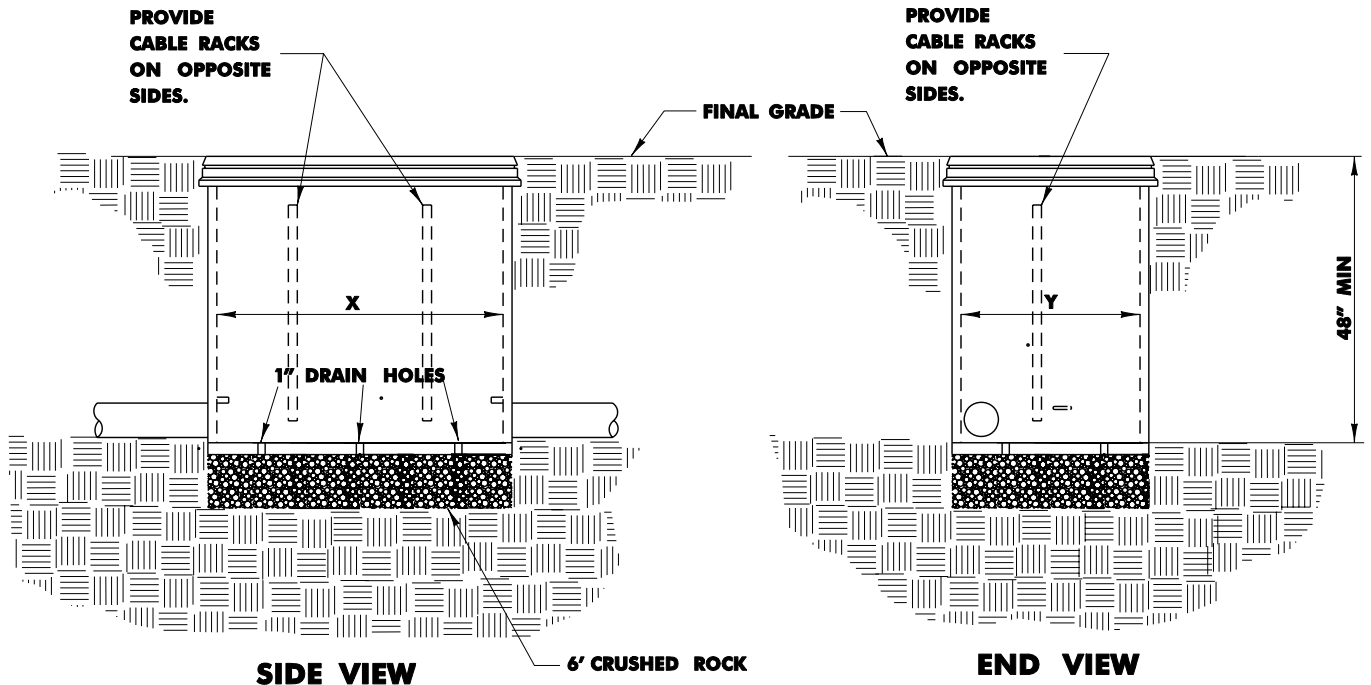
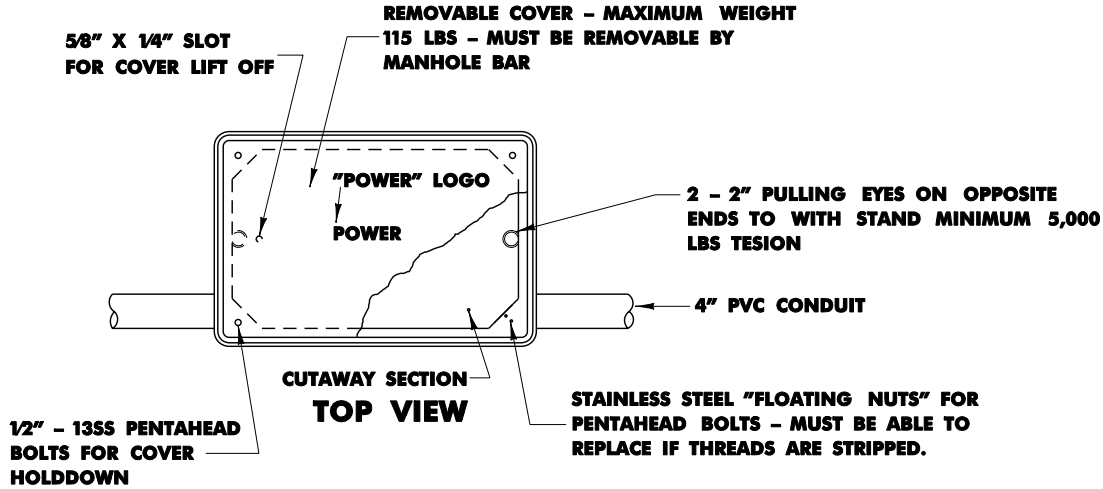


CUSTOMER INSTALLED PULLBOX

MAXIMUM 10 CABLE
DO NOT INSTALL IN DRIVING SURFACE

SINGLE PHASE: 8.08.7A
THREE PHASE: 8.08.7B



DIMENSIONS	CONDUIT		EXCAVATION REQ'D (LABOR)	MAX CABLE SIZE	MAX NO OF SPLICES
	STD	Y			
8.08.7A	60"	36"	4 3/4"	10	2
8.08.7B	78"	48"	4 3/4"	10	6

NOTE:

- 1 DESIGN LOAD - HS-20-44 (FULL TRAFFIC LOADING).
- 2 CDR (DIVISION OF HOMAC MFG CO).
- 3 PLACEMENT PER MANUFACTURER'S RECOMMENDATION.
- 4 PULLBOX IS FOR OPPD'S EXCLUSIVE USE. JOINT USE WITH CUSTOMER EQUIPMENT OF ANY NATURE SHALL NOT BE ALLOWED.